



SHELL SCHEME SERVICES

● **full service suppliers** ●

ford.barley@fordbarleyexhibitions.co.uk / Tel: 01623-551120



DESIGN+: SHELL SCHEME SERVICE: ● ●



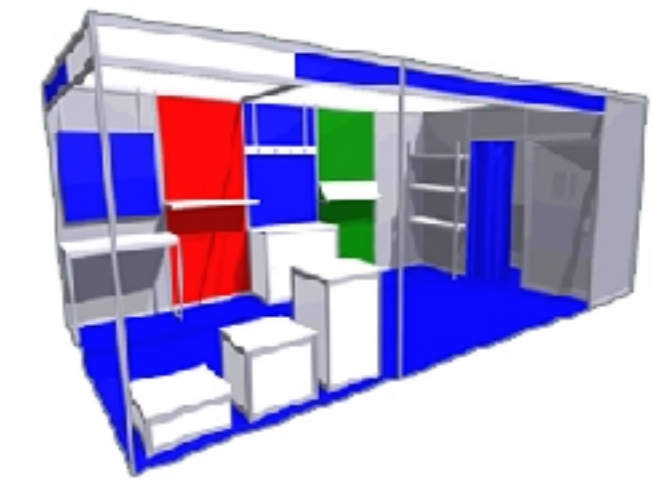
FLOOR COVERING



GRAPHICS



SHELL ACCESSORIES



FURNITURE



ELECTRICAL



AUDIO VISUAL



COVID SAFETY



SHELL SCHEME CAN BE UPGRADED USING A NUMBER OF TREATMENTS:

- HLF** = HIGH LEVEL GRAPHICS
- GP** = GRAPHIC PANELS
- DPF** = DIGITALLY PRINTED FASCIA PANELS
- FLR** = FLOORCOVERING CHANGES
- AV** = AUDIO VISUAL
- DR** = DOORS AND STORE ENCLOSURES
- FNR** = FURNITURE + LITERATURE SOLUTIONS
- CU** = BRANDED COUNTER UNITS
- ELX** = ELECTRICAL + LIGHTING SOLUTIONS

**OPTIONS CAN BE COMBINED
PLEASE CONTACT
US TO DISCUSS
YOUR STAND**



A FEW EXAMPLES OF SHELL SCHEME UPGRADE TREATMENTS



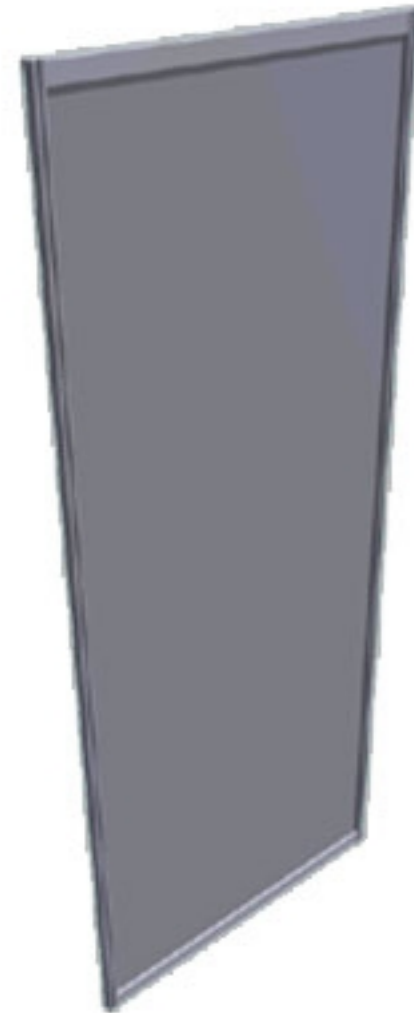
● **full service suppliers** ●

● **SHELL SCHEME DESIGN** ●

f+b

ford.barley@fordbarleyexhibitions.co.uk / Tel: 01623-551120

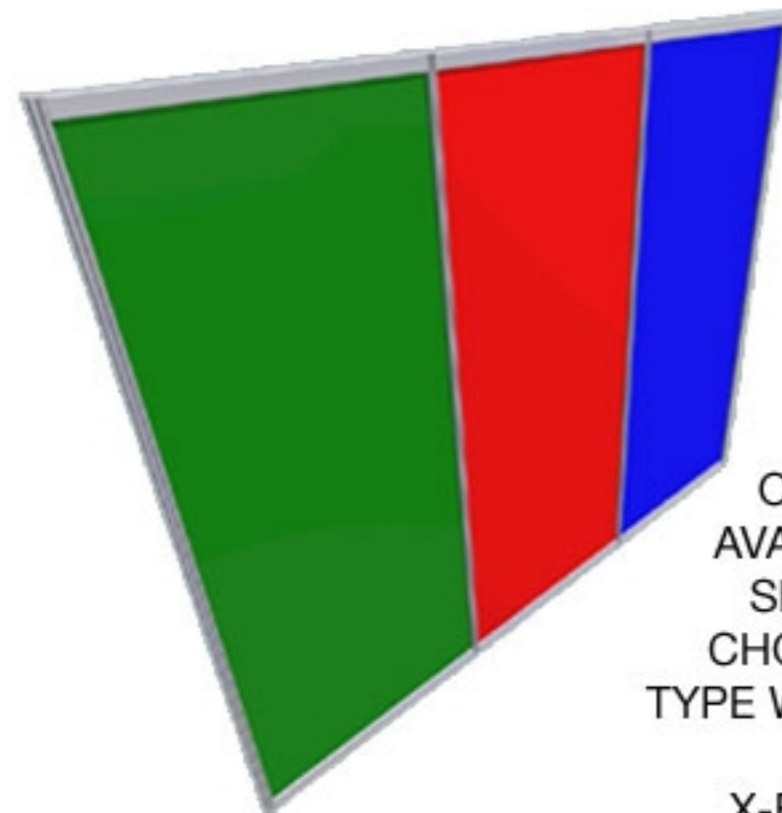
ADDITIONAL PANELS:



ADDITIONAL WALL PANELS CAN BE SUPPLIED AS 1M WIDE 1/2M WIDE OR 1/4M WIDE NOMINAL PANEL HEIGHT IS 2.5M HOWEVER OTHER HEIGHTS ARE AVAILABLE UPON REQUEST

PLEASE CALL SHOULD YOU HAVE ANY SPECIAL REQUIREMENTS

WALL PANEL COLOUR CHANGE



A RANGE OF COLOURS ARE AVAILABLE. PLEASE SPECIFY COLOUR CHOICE AND PANEL TYPE WHEN ORDERING

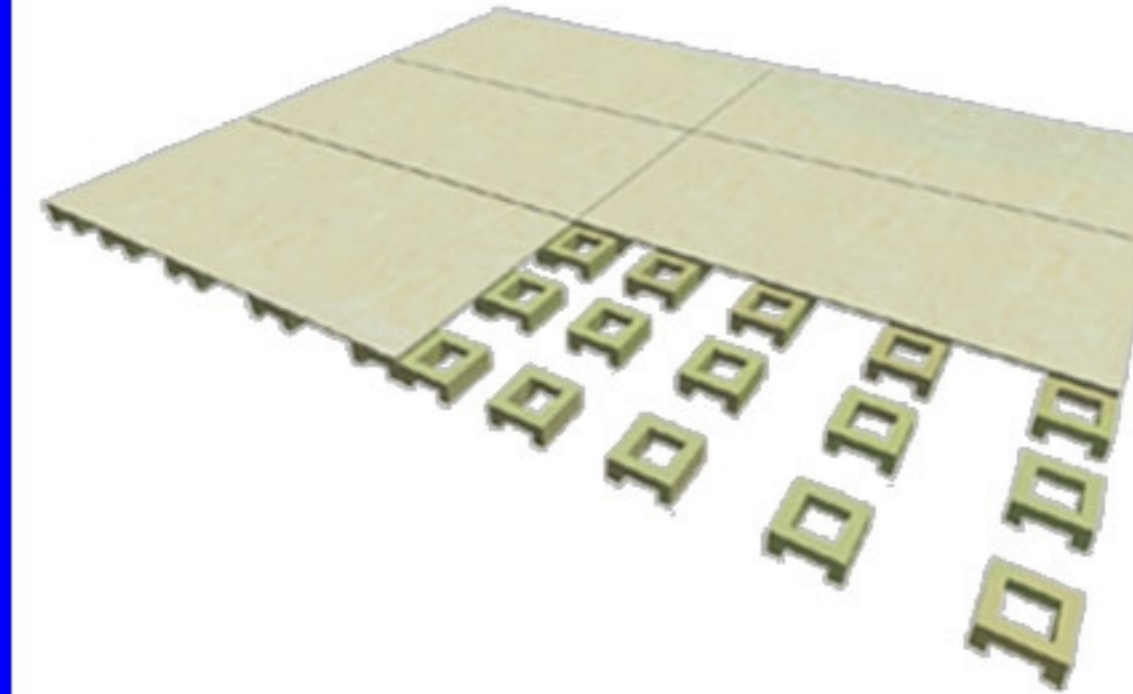
X-FILM COVERINGS AVAILABLE ON REQUEST

COUNTER UNITS:



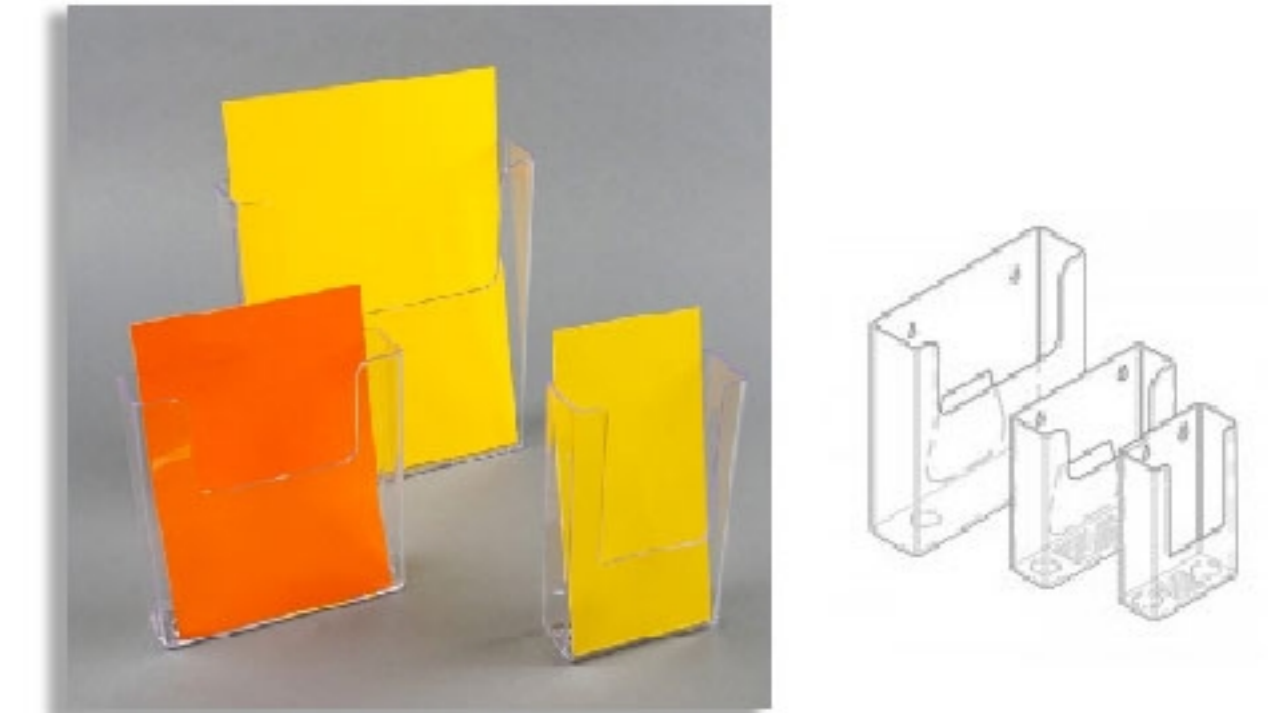
COUNTER UNITS WITH LOCKABLE SLIDING DOORS NOMINAL SIZE IS 1M WIDE X 0.5M WIDE X 0.5M DEEP CABLE MANAGEMENT PORTS SUPPLIED AT EXTRA COST STANDARD COLOUR IS WHITE

FLOORING:



PLATFORM FLOORS TO SPECIFIED HEIGHTS - THESE CAN BE INSTALLED WITH RAMPS TO MEET DDA REGULATIONS. ALL PRICES ARE AVAILABLE UPON REQUEST

LITERATURE DISPLAY:



WALL MOUNTED OR FREE-STANDING LITERATURE DISPLAY POCKETS. PLEASE LET US KNOW WHAT YOU REQUIRE FOR A TAILORED QUOTE

DOOR UNITS:



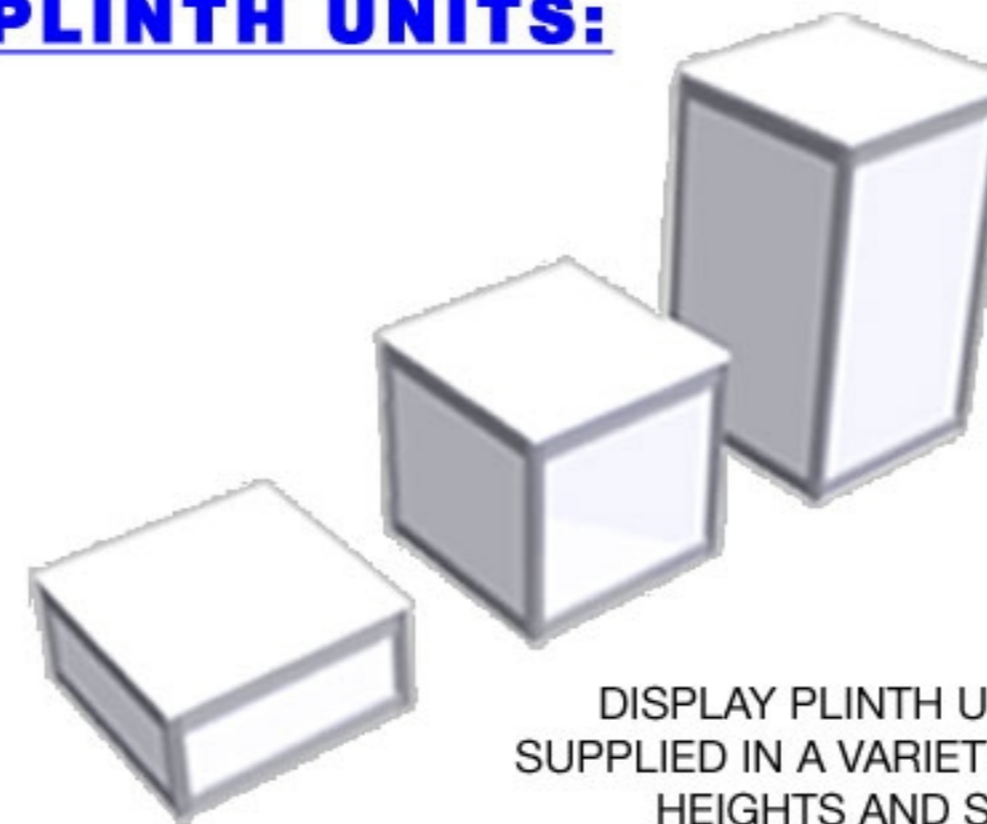
1M WIDE SYSTEM DOOR UNITS SUPPLIED WITH LOCKABLE DOOR HANDLE. CAN BE SUPPLIED WITH GREY NYLON LOOP PANEL INFILLS OR WHITE FOAM PVC INFILLS AS SHOWN IN SKETCH WE ALSO OFFER FULL TIMBER DOOR UNITS THAT CAN BE INSTALLED INTO THE SHELL SCHEME

BENCHES : BUILT IN OR FREE-STANDING



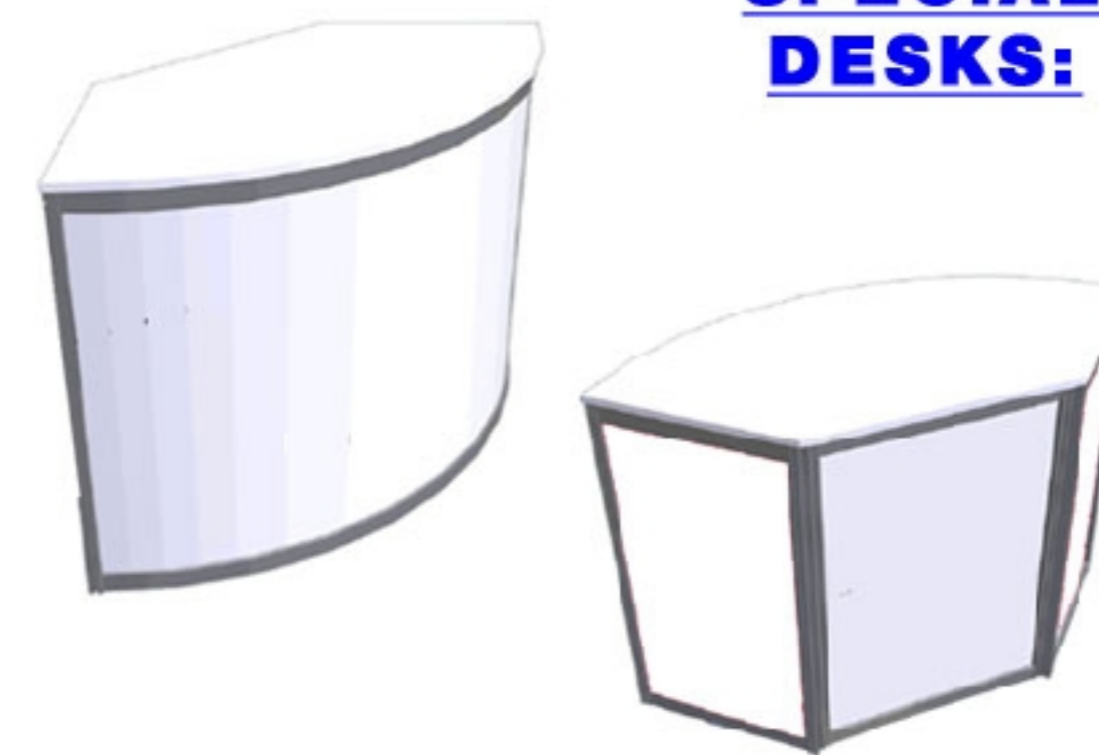
OPEN BENCHING CONSTRUCTED USING OUR SYSTEM FRAMEWORK VARYING HEIGHTS CAN BE SPECIFIED. WHITE MFC TOPS SUPPLIED AS STANDARD CABLE MANAGEMENT PORTS CAN BE PROVIDED AT EXTRA COST THESE BENCHES CAN BE CONNECTED TO THE STAND WALLS OR SUPPLIED FREESTANDING

PLINTH UNITS:



DISPLAY PLINTH UNITS SUPPLIED IN A VARIETY OF HEIGHTS AND SIZES STANDARD COLOUR SCHEME IS WHITE. OTHER COLOURS AVAILABLE ON REQUEST AT EXTRA COST SPECIAL REQUIREMENTS CAN BE PROVIDED AT EXTRA COST = IE. CABLE MANAGEMENT PORTS

SPECIAL DESKS:



MODULAR DESK AND BAR UNITS CAN BE CONSTRUCTED ON REQUEST TO INCLUDE STORAGE CABLE MANAGEMENT AND INTEGRATED GRAPHICS. PLEASE PROVIDE DETAILS FOR A QUOTE.

CREW:



SPECIALIST CREW + TRADESMEN TO ASSIST IN YOUR EVENT PARTICIPATION

CURTAINS:



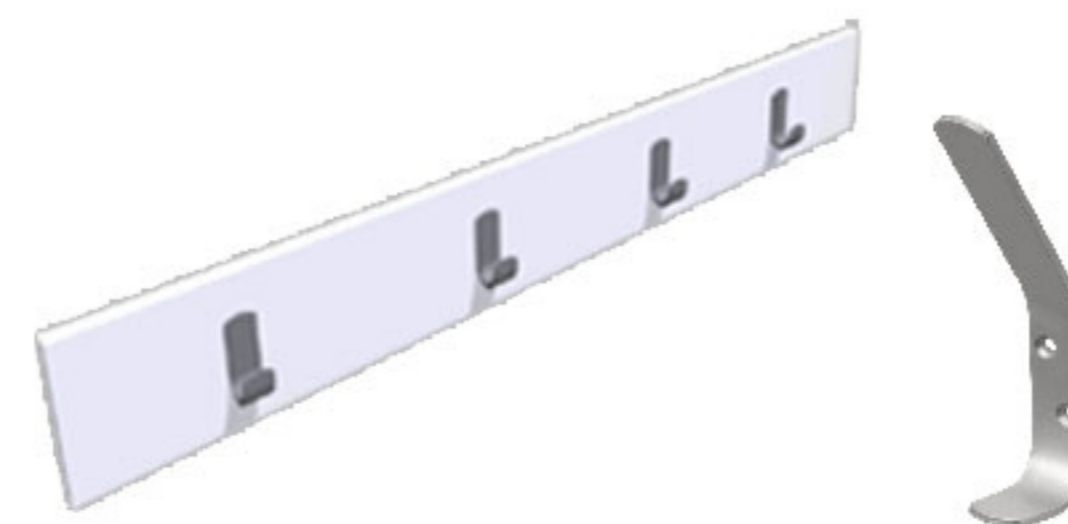
1M WIDE CURTAINS SUPPLIED WITH HEADER BOARD TO MATCH WALL PANEL COLOUR AND FINISH A RANGE OF CURTAIN FABRIC COLOURS ARE AVAILABLE

SHELVING:



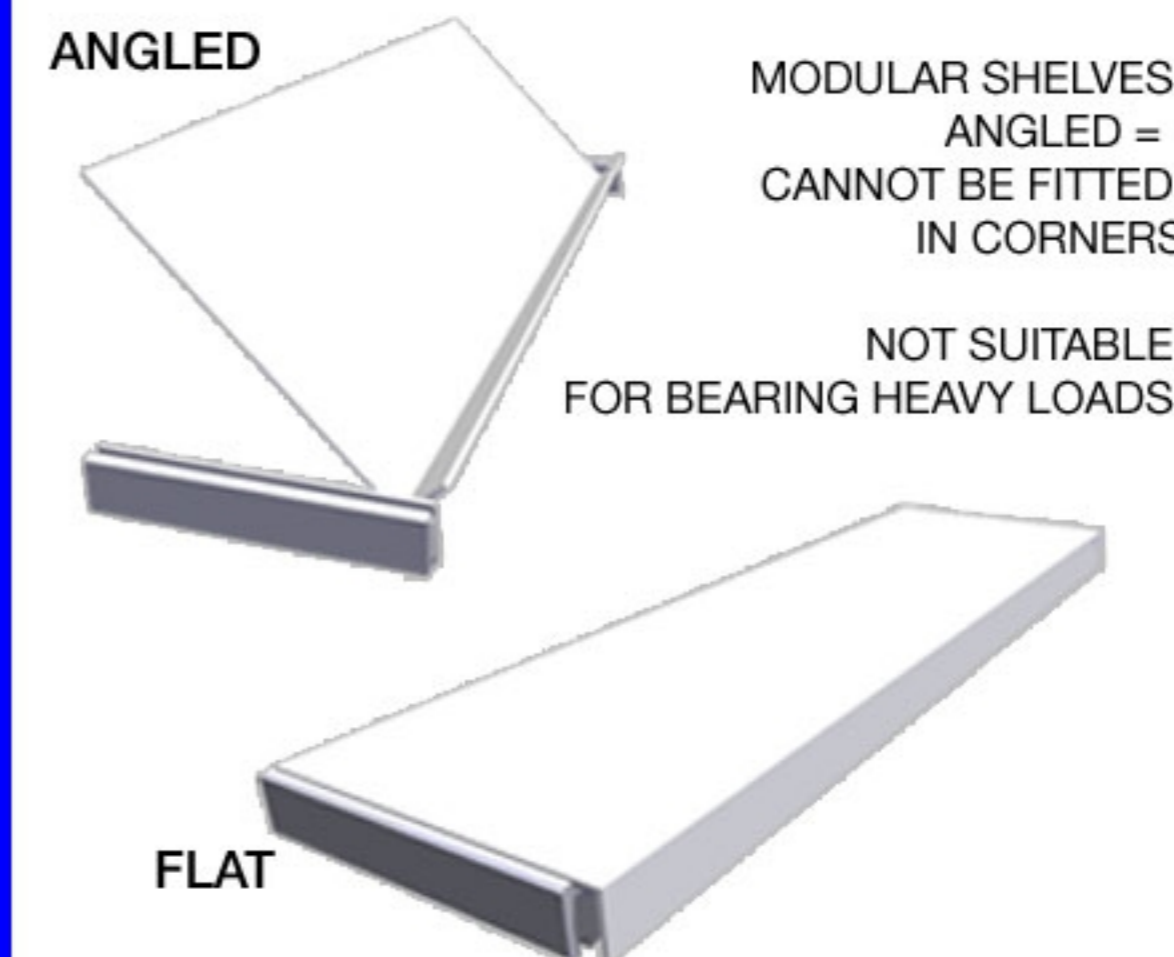
CUSTOM MADE SHELVING UNITS CONSTRUCTED USING OUR ALUMINIUM SYSTEM FRAMEWORK. SHELVES SUPPLIED AS WHITE MFC BOARDS. PRICES AVAILABLE UPON SIGHT OF CLIENTS REQUIREMENTS CUSTOM MADE OPTIONS ARE AVAILABLE UPON REQUEST

COAT HOOKS:



RACK OF COAT HOOKS NOMINAL 1M WIDE CONTAINING 4NO METAL HOOKS. THIS ITEM IS HUNG FROM THE TOP RAIL OF THE STAND WALL USING ALUMINIUM BRACKETS THE SAME AS USED ON THE DISPLAY PANEL FITMENT ABOVE

BUILT IN SHELVES:



MODULAR SHELVES. ANGLED = CANNOT BE FITTED IN CORNERS

NOT SUITABLE FOR BEARING HEAVY LOADS.



DONT SEE IT HERE? JUST TELL US WHAT YOU NEED WE CAN DESIGN + MAKE IT

● full service suppliers ●

ford.barley@fordbarleyexhibitions.co.uk / Tel: 01623-551120

● SHELL SCHEME EXTRAS ●

f+b